

QLA-2000-8000-20-40

2~8GHz, 20dB, 4dB

Features:

- * Broad Band
- * Low Noise

Applications:

- * Wireless
- * Receiver
- * Laboratory Test
- * Radar

Electrical

| | |
|----------------------|-------------|
| Frequency: | 2~8GHz |
| Gain: | 20dB min. |
| Gain Flatness: | ±1.5dB typ. |
| Output Power (P1dB): | 8dBm typ. |
| Noise Figure: | 4dB max. |
| Harmonic: | -15dBc typ. |
| Spurious: | -60dBc max. |
| Input VSWR: | 1.6 typ. |
| Output VSWR: | 1.6 typ. |
| Voltage: | +5V DC |
| Current: | 200mA typ. |
| Impedance: | 50Ω |

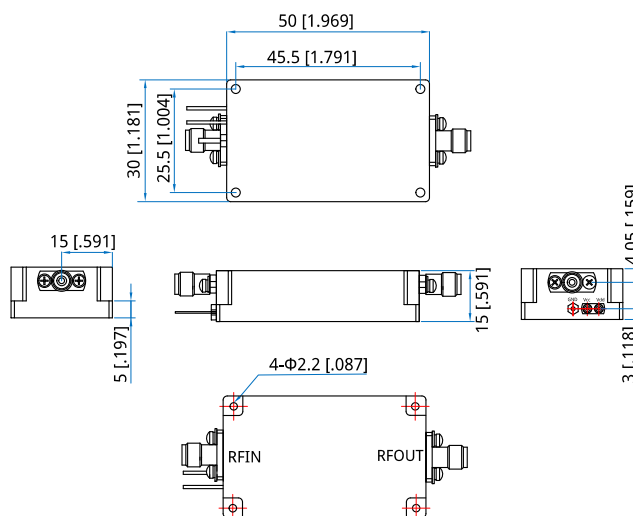
Mechanical

| | |
|--------------------------|--|
| Size*1: | 50*30*15mm 1.969*1.181*0.591in |
| RF Connectors: | 2.92mm Female |
| Power Supply Connectors: | Feed Through/Terminal Post |
| Housing Material: | Aluminum |
| Mounting: | 4-Φ2.2mm through-hole |
| Cooling: | External Heatsink (supplied on request only) |

[1] Exclude connectors.

Environmental

| | |
|----------------------------|-----------|
| Operating Temperature: | -20~+60°C |
| Non-operating Temperature: | -55~+85°C |

Outline Drawings


Unit: mm [in]

Tolerance: ±0.2mm [±0.008in]

How To Order

QLA-2000-8000-20-40

Customization is available upon request.